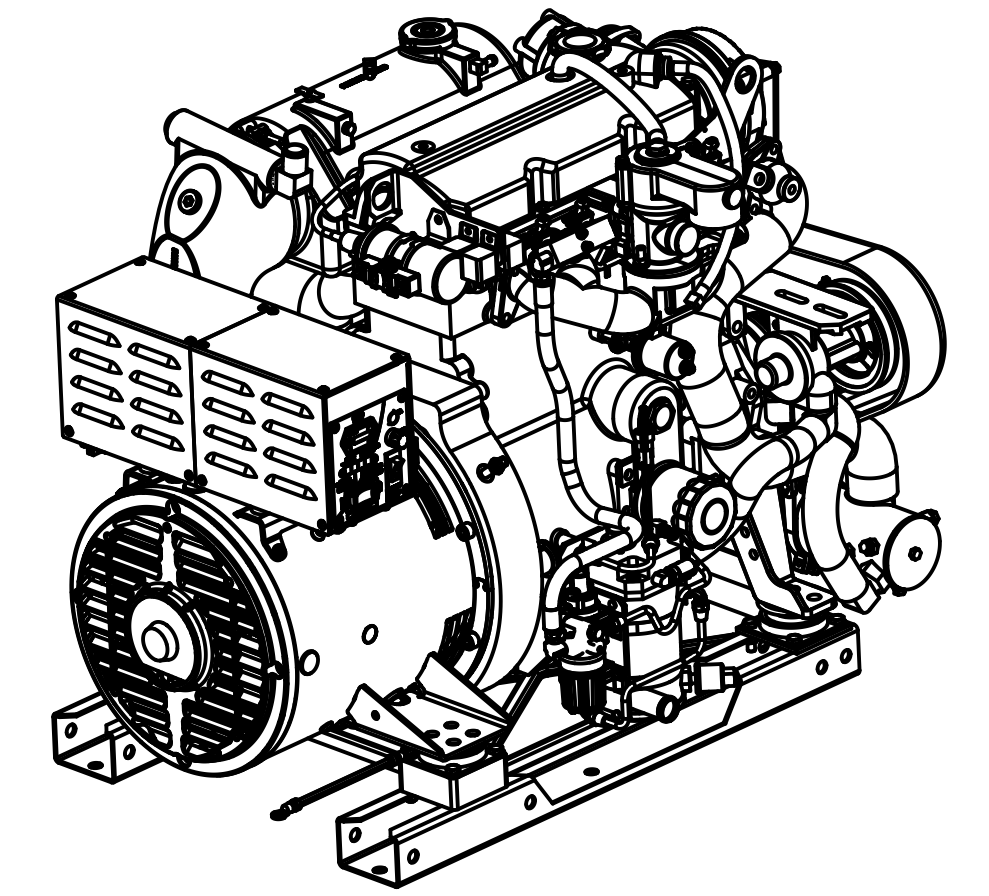
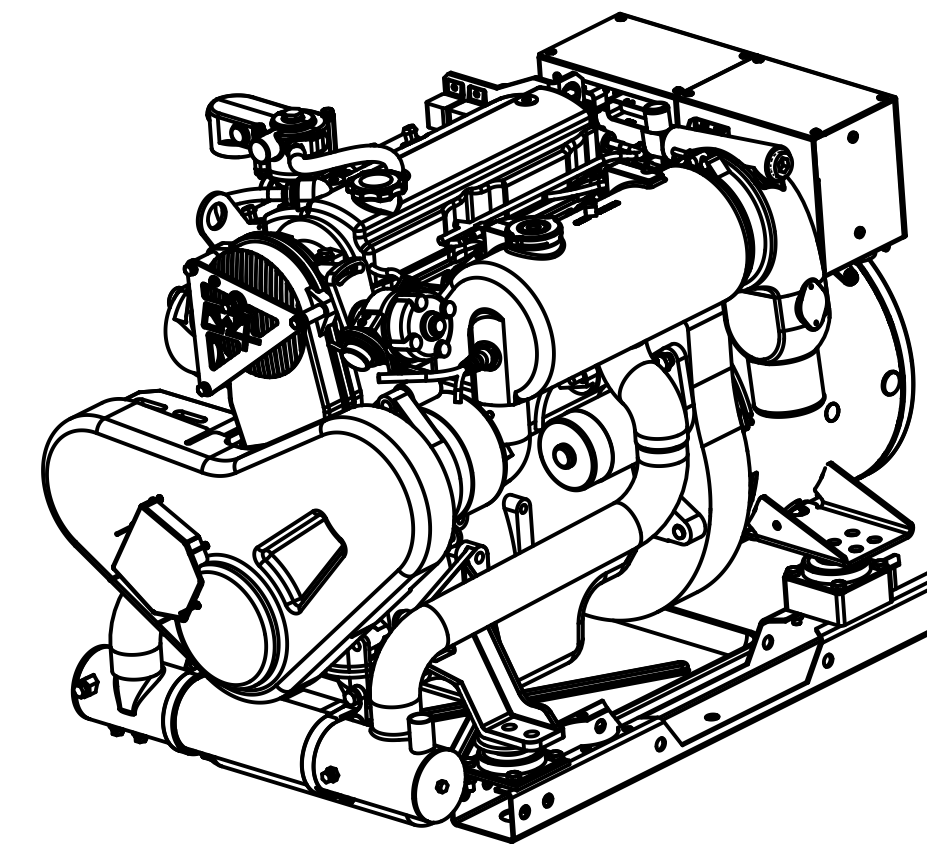
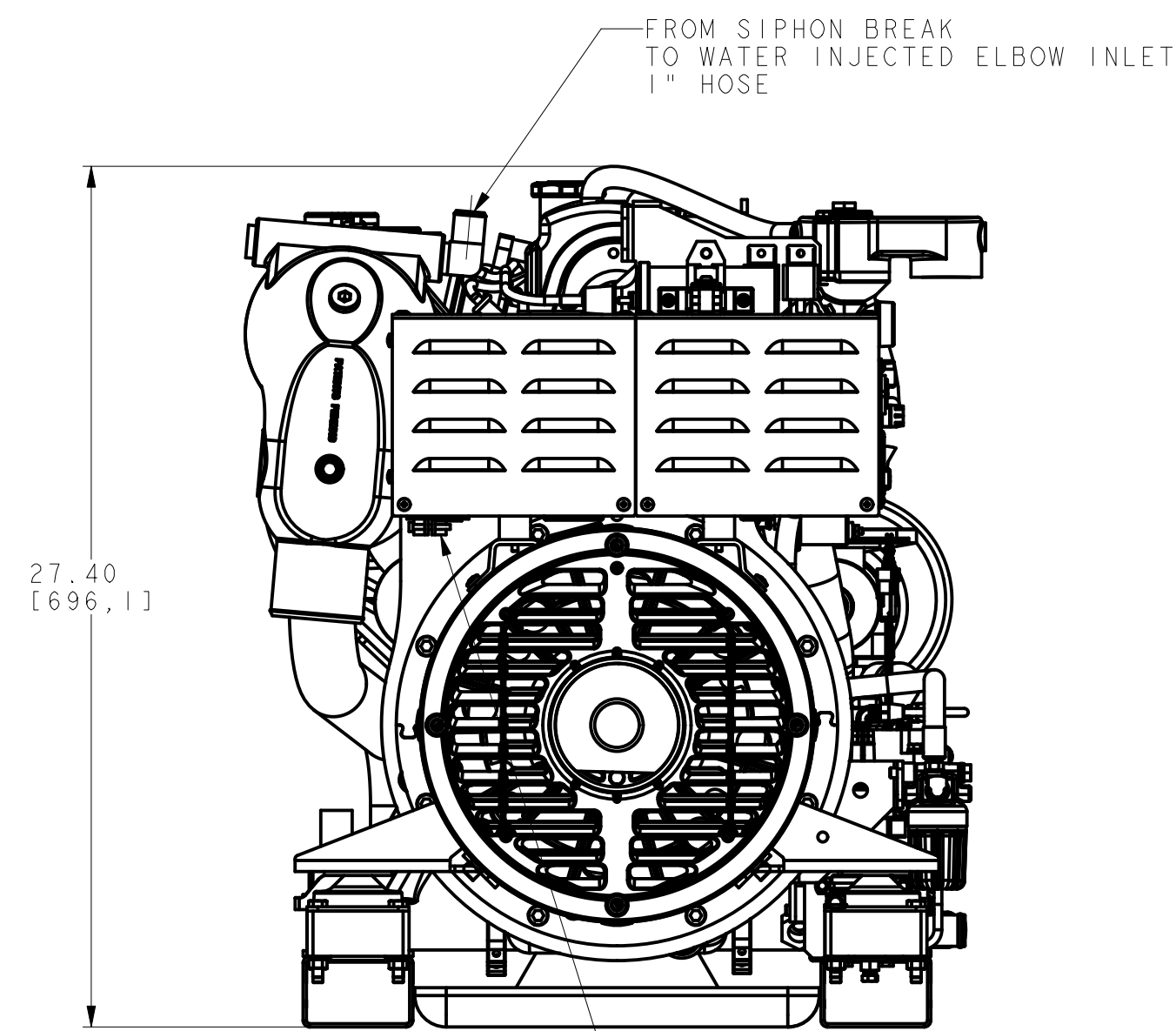


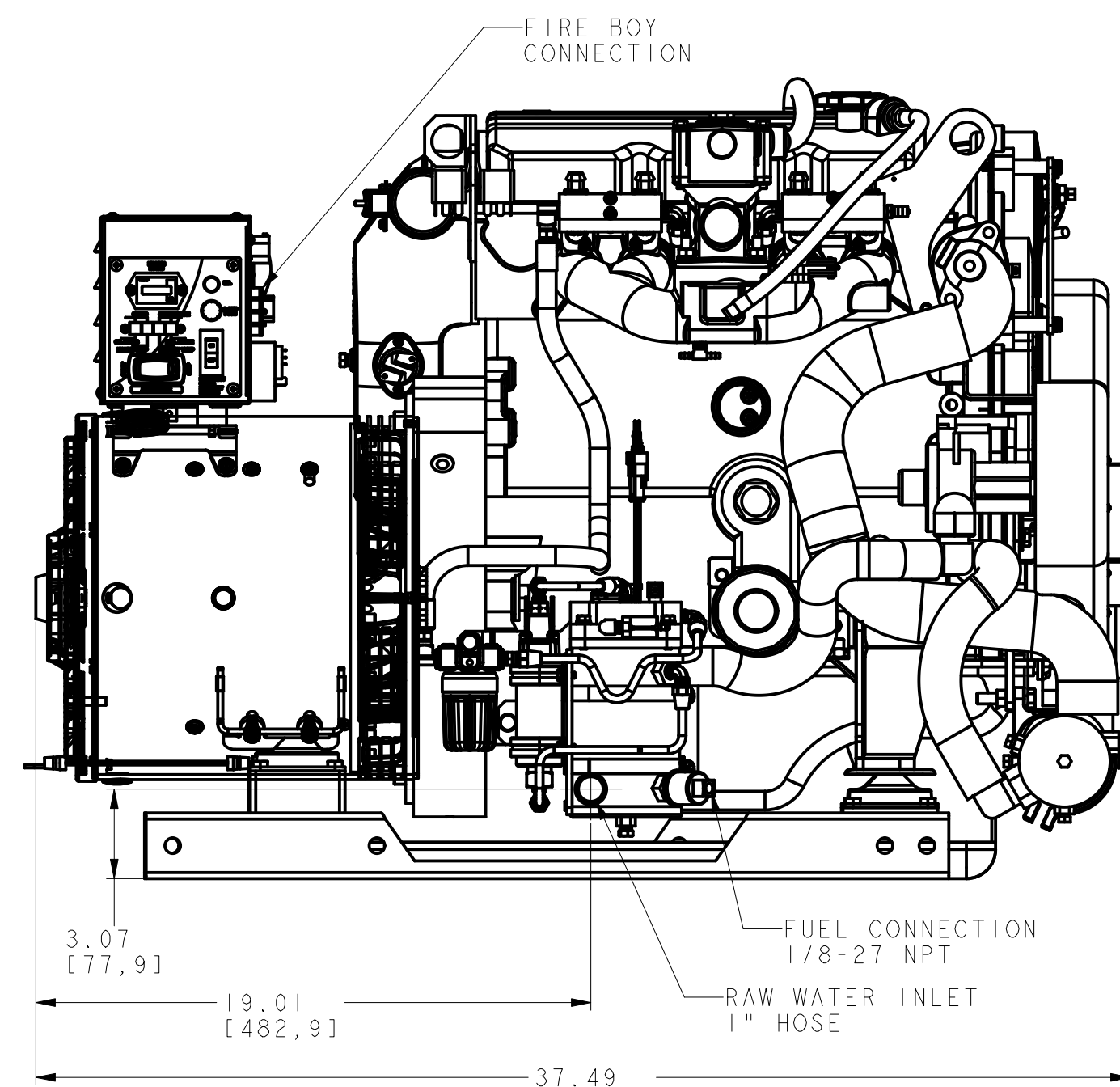
(TOP VIEW)



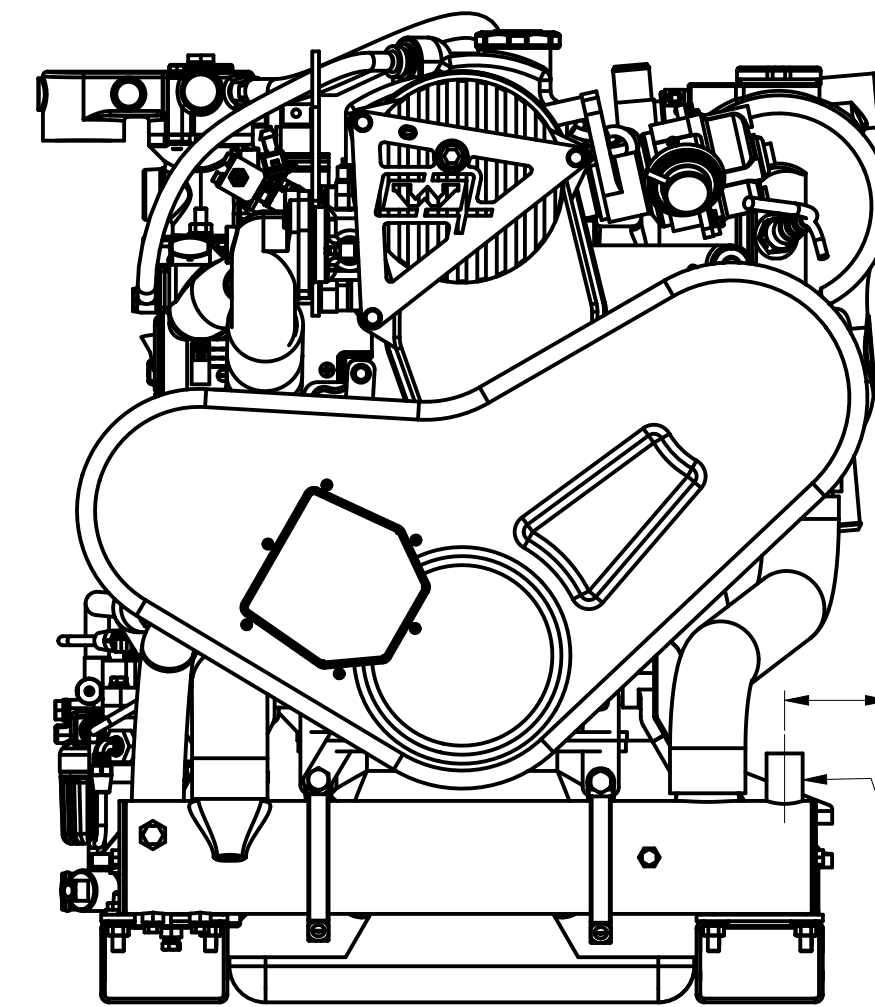
SCALE 0.125



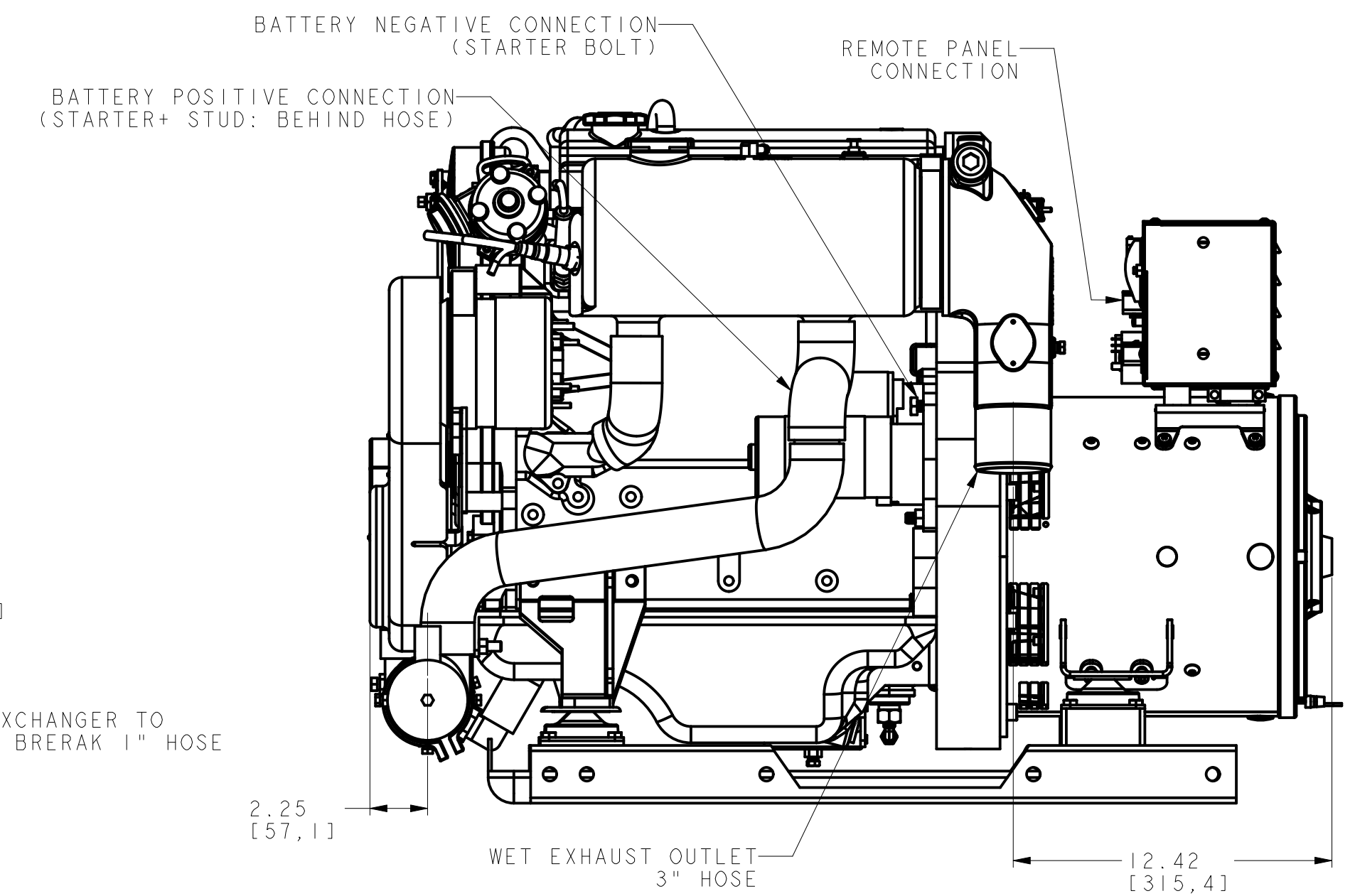
(GENERATOR END)



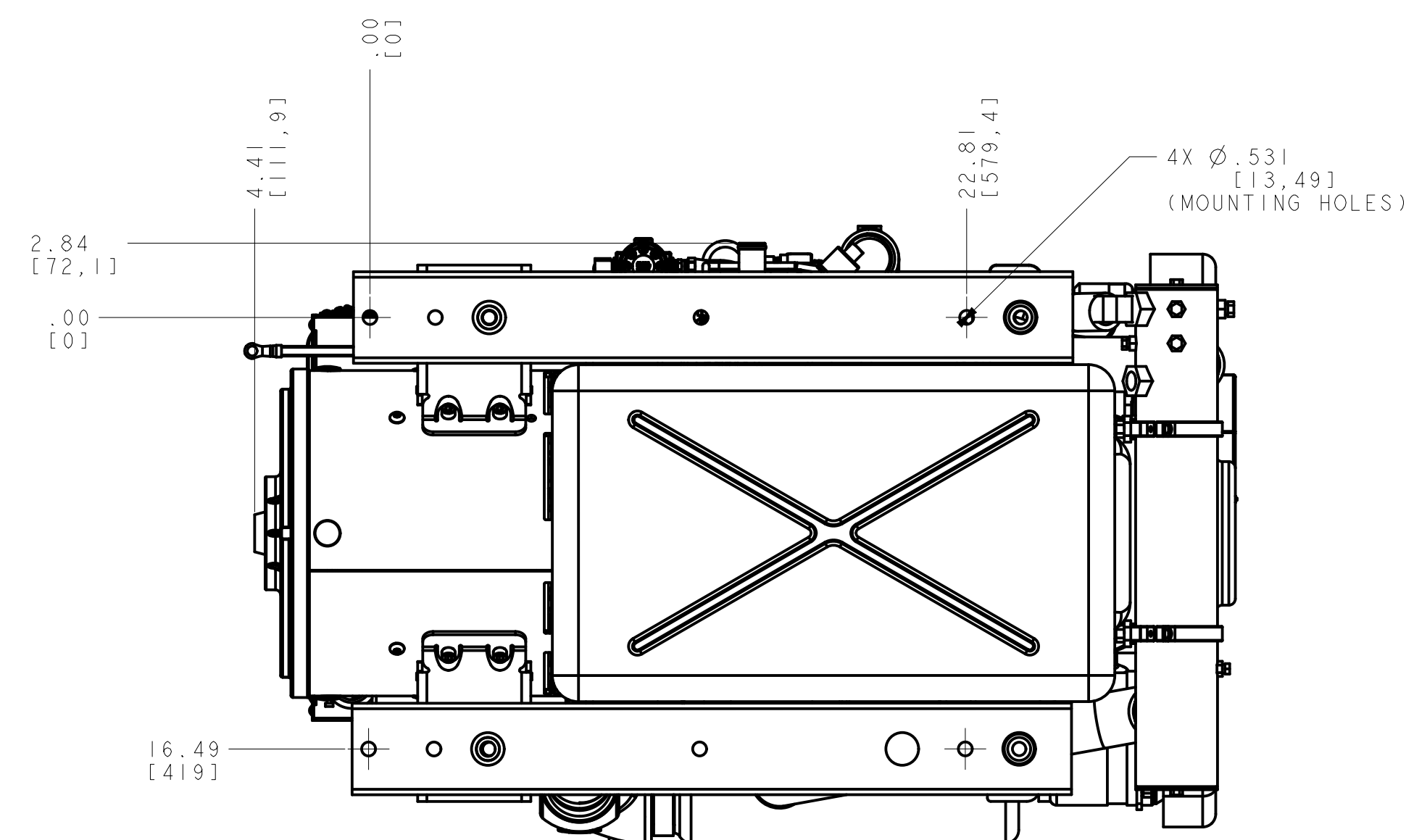
(SERVICE SIDE)



(BELT END)



(NON-SERVICE SIDE)



(BOTTOM VIEW)

NOTES:
 (UNLESS OTHERWISE SPECIFIED)
 1. DIMENSIONS: INCHES [MILLIMETERS]
 2. TOLERANCE: ±.375 [9.5]

TOLERANCES (UNLESS OTHERWISE NOTED)		TITLE	
INCHES	MILLIMETERS	DGINSTALL GEN 15.0 MEG	
.XX	.X	---	
.XXX	.XX	---	
CAST	.XX	---	
ANGLES		---	
FINISH		---	
DRAWN BY CGP		DATE 10/7/2020	MATERIAL ---
APPROVED BY		DATE	---
DIMENSIONS		SCALE 0.188	SIZE D
INCHES MILLIMETERS (WHEN APPLICABLE)		SHT. 1 OF 1	DRAWING NUMBER 57792
			REV. ---